



# WIŚNIEWSKI

BROUGHT TO YOU BY



March 2023

JDUK  
Door Systems

**UniPro** Sectional  
Door Brochure





GENERAL OVERVIEW 4-5

---

UNIPRO SECTIONAL DOORS 6-17

---

DOOR OPTIONS DESIGNS - TEXTURES 18-27

---

COLOUR OPTIONS 28-35

---

HANDLE OPTIONS 36-37

---

AUTOMATION & ACCESSORIES 38-41

---

INSPIRATION 42-43

---

TECHNICAL INFORMATION 44-57

[www.jdukLtd.co.uk](http://www.jdukLtd.co.uk)





Welcome to the world of  
**WIŚNIEWSKI garage doors**  
brought to you by JDUK Door Systems

Choose one of our sectional garage door solutions. This diversity is our response to the requirements of our customers. Let us surprise you with the multitude of options. We present to you the classy, safe, and functional sectional garage doors by WISNIEWSKI.





# Why **WIŚNIEWSKI**?

For the last three decades, we have been working in accordance with the idea of the founder of the WISNIEWSKI brand, Andrzej Wisniowski, who made it his goal to create innovative products addressing all of our customers' needs, providing many reasons to buy WISNIEWSKI products:

- **Side Sprung** available up to **5000mm** wide
- **Matching** profiles provided as standard
- **4 Panel** arrangement up to **2375mm** high
- **100mm headroom** including the tolerance required for the automation
- **Unique fascia** specifically designed for the UK
- **34 standard RAL** colours available
- **41 foiled** finishes available
- **Exclusive** - Home Inclusive colour range
- **Special** colours available on request, from Farrow & Ball to Little Greene Paint.





Perfection in **every detail**



# UniPro

## Always universal

Thanks to advanced technologies, proven materials and our own innovative technical thinking, we give our customers the certainty of a good choice. We have an integrated Management System, certified on the basis of the quality standard ISO 9001: 2008 and Occupational Health and Safety OHSAS 18001:2007. This is striving for continuous improvement of processes and products. The UniPro combines precision manufacturing and attention to detail with a vast range of designs, structures, colours, and decorative motifs. This lets you match the UniPro garage door with both modern and traditional buildings. Thanks to the multitude of design solutions, the UniPro garage door is the perfect choice for a new build or renovation,



STANDARD  
CLASS

- **Side extension** springs available up to **5000mm** wide
- **Coloured profiles** supplied as **standard**
- **4 panel** arrangement up to **2375mm** high
- **Headroom** requirement including automation **100mm**
- **34 Standard RAL** colours to choose from
- Panel heat transfer coefficient **Up=0.48 W/m<sup>2</sup>K <sup>(1)</sup>**

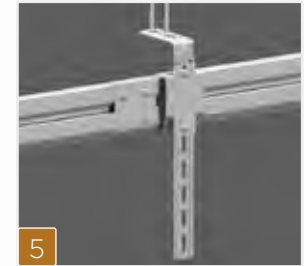




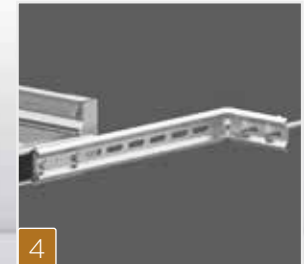


# UniPro

The UniPro sectional garage door is dedicated primarily to buildings with low lintel, with little space for torsion springs and narrow side clearance, making it impossible to use traditional solutions. It is also used for renovation, particularly with imperfectly finished garage openings. The UniPro features a specially designed profile system for frames positioned between the opening, which enables adjustment of the position of the door during installation. Thanks to its proven structure, it is a reliable solution that is installation friendly.



**Adjustable** ceiling fix



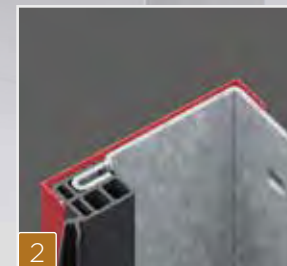
**Adjustable** rear side wall fix



UNIVERSAL  
INSTALLATION



**Side sprung up to 5000mm wide**



**Matching profiles supplied as standard**



**Pre-installed cable system**

## Profile systems - **Supplied as standard**

Renovation is all about adapting the functionality of the current building to the needs of its users. The aim of the refurbishment is usually to improve the aesthetic quality of the building. Our profile systems let you install sectional garage doors in the garage opening regardless of the building conditions, even if the building has no lintel or side clearance. Enhance the functionality and the look of your garage with our profile solutions. Profiles to match all colours and foiled finishes are supplied as standard.





# Functionality and **reliability that lasts**

We insist on implementing solutions that extend the life of our garage doors at the initial design stage. Our TÜV SÜD certificate guarantees that all the processes are strictly supervised along each stage, from the purchase of raw materials, through design and manufacture, up to the final product and customer support. It is a promise of the highest quality, safety, and comfort at each stage of use. A 10 year warranty covering the safe and reliable operation of the product is provided once registered to the extended care warranty programme. Would you like to find out more about controlling your home features using a smartphone? The smart CONNECTED technology brings WISNIOWSKI automatic sectional garage doors to the next level of product development, tailoring them to the requirements of modern customers. On the one hand, it lets you control the devices with your smartphone, and on the other, it gives you full control and lets you stay in touch with your home from any place in the world.



SAFETY



The **TÜV SÜD** certificate confirms that WISNIOWSKI operates in a systemic manner, which ensures that our processes are repeatable, our responsibility is transparent at each stage of meeting customers' demands, and that our processes are constantly being perfected.



# Anti-burglary **safety kit RC2**

Your home is your castle. We understand it very well and support you in building a safe space for you and your family. The anti-burglary safety kit provides an even better protection for your home. Solutions designed by our engineers make the UniPro doors paired with the METRO drive unit almost impossible to force open. The mechanism locks the door automatically and protects it from being opened by unauthorised persons.

The RC2 level burglary protection is confirmed by a certificate from the widely recognised IFT Institute, so you can rest assured that everything that is important to you is well protected.



BURGLARY  
PROTECTION



Garage doors fitted with the RC2 burglary kit have a certificate issued by the IFT Rosenheim Institute (Germany) which confirms compliance with the DIN/TS 18194:2020 standard.



Optional upgrade with UniPro sectional doors, complete with Somfy Metro automation

# UNIPRO PROFILE SYSTEM

The UniPro 93mm profile system is our response to the needs of buildings intended for renovation. The structure is made of door frames adapted for installation in openings without the lintel or side clearance or with uneven wall surface. This structure comprises a fascia panel system in the same colour as the door leaf, which ensures great appearance without the need for further finishing works.



UNIVERSAL  
INSTALLATION

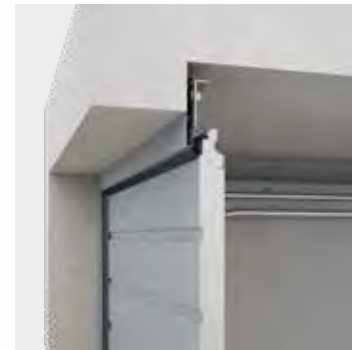
The UniPro profile system solves a multitude of potential issues that could occur during the replacement of the garage door. The structure is mounted directly to the existing surfaces with a system of angle bars which, paired with fascia panels, take over the functionality of the missing wall elements.



Side Sprung

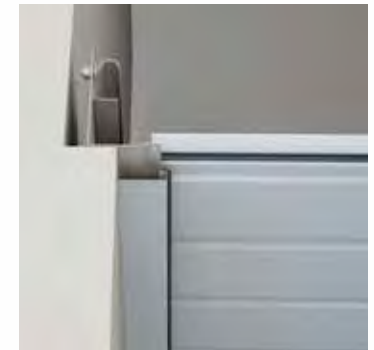
Rear Mount Torsion

Installation To The Lintel



Behind The Lintel

Installation To The Frame



Behind The Opening



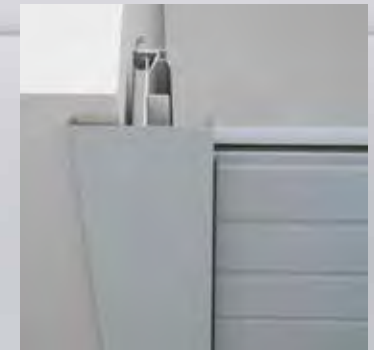
Under The Lintel



Between The Opening



In Front Of The Lintel



In Front Of The Opening

## Sectional door

### Installation structure

It is a modern and functional solution enabling the installation of sectional garage doors regardless of the building conditions in your garage. It acts as a framework and replaces the missing elements of the lintel or the side area where the structural elements of the garage door are mounted. The structure is made of corrosion resistant galvanised steel and because fascia panels can be used in the door opening, the garage entrance maintains great appearance.



## Renovation

### Cladding panels

This solution makes it possible to match the front of the building with the design of the garage door curtain. A perfect solution for owners of multi-car garages who appreciate a uniform style of buildings with a garage integrated with the building structure.





# Renovation

## Fascia panels

The garage door opening can be damaged in the process of replacing the garage door. Fascia panels matching the door leaf colour can be used to cover up the damage or some less appealing building structure features.

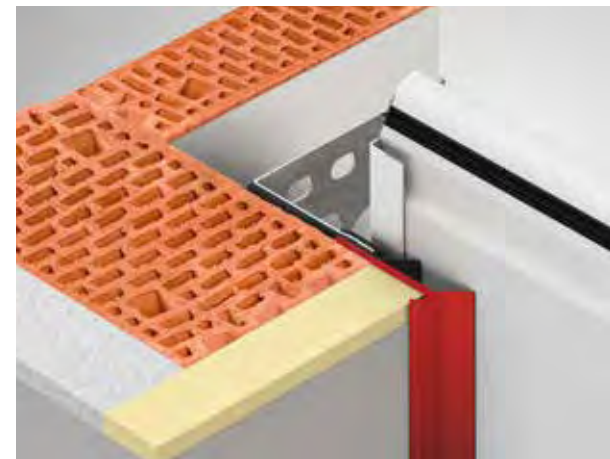


Renovation fascia panel - option

# Finishing thermal

## Seal

Makes it possible to provide an aesthetic finish of the garage opening thermally insulated, for example, with a layer of polystyrene or Styrodur, by eliminating the clearance between the thermal insulation layer and the door leaf surface, which improves thermal insulation. Available for torsion doors only.



Finishing thermal seal - option

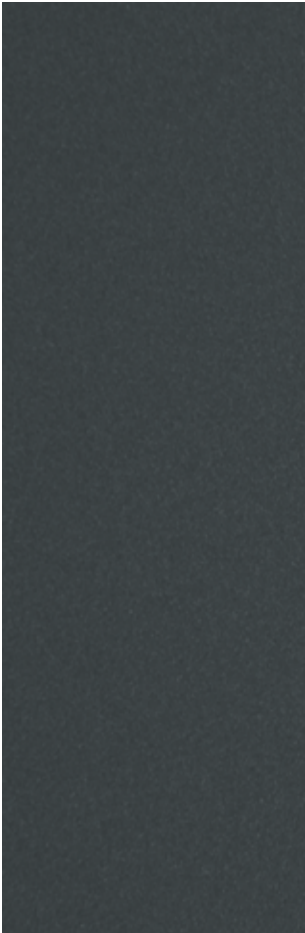
# PANEL TEXTURES



Woodgrain



Smoothgrain



Silkline



V Line - Silkline



Sandgrain

# PANEL DESIGNS



Panel design - L Ribbed



Panel design - M Ribbed



Panel design - S Ribbed



Panel design - V Line



Panel design - Georgian

# GLAZING OPTIONS



Rectangular Windows - Type A-1



Rectangular Windows - Type C-1



Rectangular Windows - Type E-1



Porthole Windows - Type O



Porthole Window - Type O-2A  
Stainless Steel Frame



Square Window - Type R-1A  
Stainless Steel Frame



# GLAZING OPTIONS



Rectangular Sunrise Window  
Type W6-1



Rectangular Sunrise Window Type W3-1



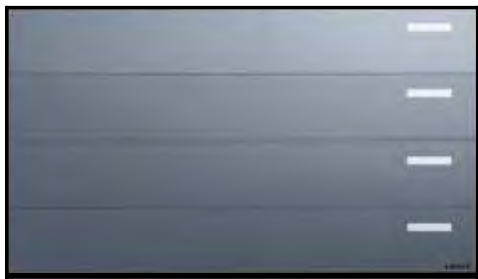
Rectangular Sunrise Window  
Type W4-1



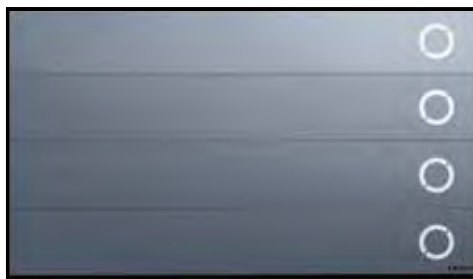
Rectangular Sunrise Window  
Type W5-1



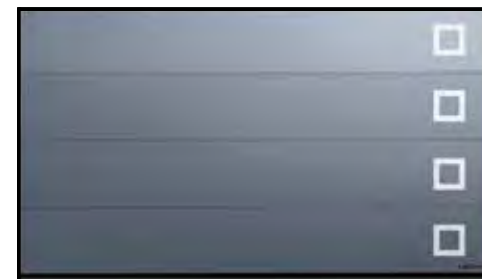
# DECORATIVE MOTIFS



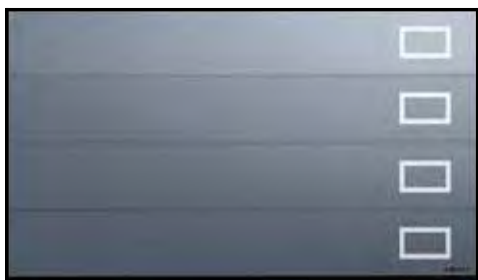
Decor Type Ap-1



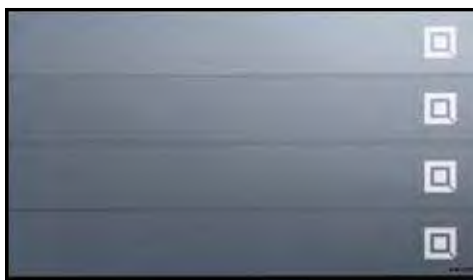
Decor Type Ap-2



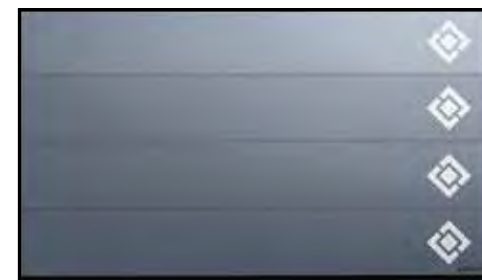
Decor Type Ap-3



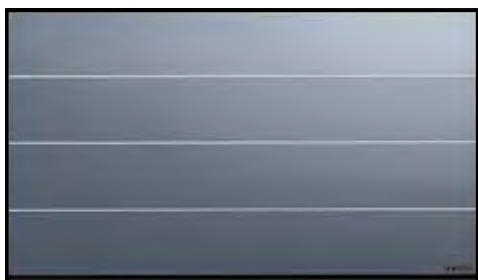
Decor Type Ap-4



Decor Type Ap-5



Decor Type Ap-6



Decor Strip - L Ribbed Type Ap-7



Decor Strip - M Ribbed Type Ap-7

# DOOR OPTIONS



Visual glazing - Available for doors up to 3000mm wide.



Horizon glazing - Available for doors up to 5250mm wide.



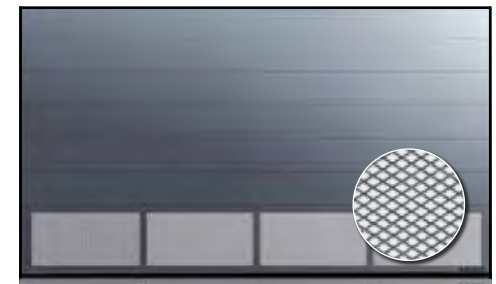
Panoramic glazing - Available for doors up to 4000mm wide



Opening Height (mm)	Opening Width (mm)			
	2000-3000	3001-4000	4001-5000	5001-5500
2000-2250				
2251-2400				
2401-2500				
2501-3000				



Ventilated panel - Perforated sheeting



Ventilated panel - Expanded mesh panel



# SIDE HINGED - SINGLE OR DOUBLE LEAF



L Ribbed Panel Design  
Single or Double Leaf



M Ribbed Panel Design  
Single or Double Leaf



S Ribbed Panel Design  
Single or Double Leaf



Georgian Panel Design  
Single or Double Leaf



Microwave Panel Design  
Single or Double Leaf



Type A-1  
Glazing



Type Ap-4  
Decor

# FORM AND FUNCTION

UniPro sectional garage doors by WISNIOWSKI are manufactured using 40mm thick insulated panel. All our panels are manufactured in the WISNIOWSKI facility using state-of-the-art technological lines, which ensure high quality and repeatability at each stage of the manufacturing process. High technical parameters and reliable corrosion protection are obtained thanks to the use of high grade, galvanised steel with paint or film coating. The stiff polyurethane foam core ensures optimum strength for the panels and improves their thermal insulation. Special solutions, such as the 5-layer sheet bending system ensures stable fastening of elements, which further increases the strength of our design.



1. Closed panel construction
2. Five sheet layers at the hinges
3. Panel joint seal
4. Polyurethane foam



THERMAL  
INSULATION



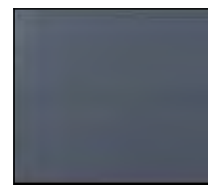
V Line



S ribbed



M ribbed



L ribbed



Georgian

Woodgrain	—	RAL9016, Standard RAL, Special RAL, Non RAL	RAL9016, Standard RAL, Special RAL, Non RAL	RAL9016, Standard RAL, Special RAL, Non RAL	RAL9016, Standard RAL, Special RAL, Non RAL
Smoothgrain	—	—	41 film coatings	41 film coatings	—
Sandgrain	—	—	Anthracite	Anthracite	—
Silkline	RAL9016, Standard RAL, Special RAL & Non RAL	RAL9016, Standard RAL, Special RAL & Non RAL	RAL9016, Standard RAL, Special RAL & Non RAL	RAL9016, Standard RAL, Special RAL & Non RAL	—
Home Inclusive 2.0	—	16 colors	16 colors	16 colors	—

U thermal transmittance factor [W/m<sup>2</sup>K] for the UniPro sectional doors (40 [mm] panel)

		Door width in (mm)																	
		2250	2375	2400	2500	2600	2750	3000	3250	3500	3750	4000	4250	4500	4750	5000	5250	5500	6000
Door Height in (mm)	2000	1.3	1.3	1.3	1.3	1.3	1.3	1.3	1.3	1.3	1.3	1.3	1.3	1.3	1.3	1.3	1.2	1.2	1.2
	2100	1.3	1.3	1.3	1.3	1.3	1.3	1.3	1.3	1.3	1.3	1.3	1.2	1.2	1.2	1.2	1.2	1.2	1.2
	2125	1.3	1.3	1.3	1.3	1.3	1.3	1.3	1.3	1.3	1.3	1.2	1.2	1.2	1.2	1.2	1.2	1.2	1.2
	2200	1.3	1.3	1.3	1.3	1.3	1.3	1.3	1.2	1.2	1.2	1.2	1.2	1.2	1.2	1.2	1.2	1.2	1.2
	2250	1.3	1.3	1.3	1.3	1.3	1.3	1.2	1.2	1.2	1.2	1.2	1.2	1.2	1.2	1.2	1.2	1.2	1.2
	2375	1.3	1.3	1.3	1.3	1.3	1.3	1.2	1.2	1.2	1.2	1.2	1.2	1.2	1.2	1.2	1.2	1.2	1.2
	2500	1.3	1.3	1.3	1.3	1.3	1.3	1.2	1.2	1.2	1.2	1.2	1.2	1.2	1.2	1.2			
	2625	1.3	1.3	1.3	1.3	1.3	1.3	1.2	1.2	1.2	1.2	1.2							
	2750	1.3	1.3	1.3	1.3	1.3	1.3	1.2	1.2	1.2	1.2	1.2							
	2875	1.3	1.3	1.3	1.3	1.3	1.3	1.2	1.2	1.2	1.2								
	3000	1.3	1.3	1.3	1.3	1.3	1.3	1.2	1.2	1.2									

# AN ABUNDANCE OF COLOURS

Colour is the first feature our senses react to. We made sure that each of our customers can find the colour they are looking for. Our garage doors can be manufactured in RAL palette colours and in wood effect finishes. Together with our range of structures and extra decorative elements, this gives you hundreds of options for a totally bespoke design.



Standard RAL, special RAL and Non RAL colours available  
Wide selection of wood effect and coloured foils available pages 30-33  
Exclusive - Home Inclusive 2.0 available pages 34-35



# COLOUR OPTIONS

One of the largest pallettes of standard RAL colours available. Special RAL and non RAL colours are also available, whether your choice of colour is Farrow & Ball or Little Green please contact your dealer to arrange a sample.

TRAFFIC WHITE RAL 9016	PURE WHITE RAL 9010	CREAM RAL 9001	LIGHT IVORY RAL 1015	WHITE ALUMINIUM RAL 9006	GREY ALUMINIUM RAL 9007
FIR GREEN RAL 6009	MOSS GREEN RAL 6005	PALE GREEN RAL 6021	STEEL BLUE RAL 5011	GENTIAN BLUE RAL 5010	PIGEON BLUE RAL 5014
BURGUNDY RAL 3004	RUBY RED RAL 3003	FLAME RED RAL 3000	SEPIA BROWN RAL 8014	TERRA BROWN RAL 8028	NUT BROWN RAL 8011
LIGHT GREY RAL 7035	PEBBLE GREY RAL 7032	AGATE GREY RAL 7038	SILVER GREY RAL 7001	WINDOW GREY RAL 7040	STONE GREY RAL 7030
QUARTZ GREY RAL 7039	MOUSE GREY RAL 7005	BASALT GREY RAL 7012	SLATE GREY RAL 7015	GRAPHITE GREY RAL 7024	GRANITE GREY RAL 7026
ANTHRACITE GREY RAL 7016	SIGNAL BLACK RAL 9004	JET BLACK RAL 9005	GRAPHITE BLACK RAL 9011		

**COLOURS ARE FOR REFERENCE PURPOSES ONLY**  
PLEASE REQUEST A SAMPLE



L RIBBED	✓	✓	✓	✓	✓	✓	✓	✓	✓	✓	✓	✓
M RIBBED	✓	✓	✓	✓	✓	✓	✓	✓	✓	✓	✓	✓
S RIBBED												
MICROWAVE												
GEORGIAN												

Swamp Oak 3167004-167  
Smoothgrain

Summer Cherry 3214009-195  
Smoothgrain

Macore 3162002-167  
Smoothgrain

Oregon 1192001-167  
Smoothgrain

Sapeli 2065021-167  
Smoothgrain

Siena Noce 49237 PN  
Smoothgrain

Siena PL 49254-015  
Smoothgrain

Siena Rosso 49233 PR  
Smoothgrain

Winchester 49240 XA  
Smoothgrain

Black Cherry 3202001-167  
Smoothgrain

Natural Oak 3118076-1168  
Smoothgrain

Douglas Fir 3152009-1167  
Smoothgrain

Rustic Oak 3149008-167  
Smoothgrain

Sheffield Oak Brown F 436-3087  
Smoothgrain







L RIBBED	✓	✓	✓	✓	✓	✓	✓	✓	✓	✓	✓	✓
M RIBBED	✓	✓	✓	✓	✓	✓	✓	✓	✓	✓	✓	✓
S RIBBED												
MICROWAVE												
GEORGIAN												



Dark grey silk 4367003  
smoothgrain

Golden Oak 2178001-167  
smoothgrain

Walnut 2178007-167  
smoothgrain

Anthracite Quartz Mat F4701014  
smoothgrain

Woodec Turner Oak Toffe F4703004  
smoothgrain

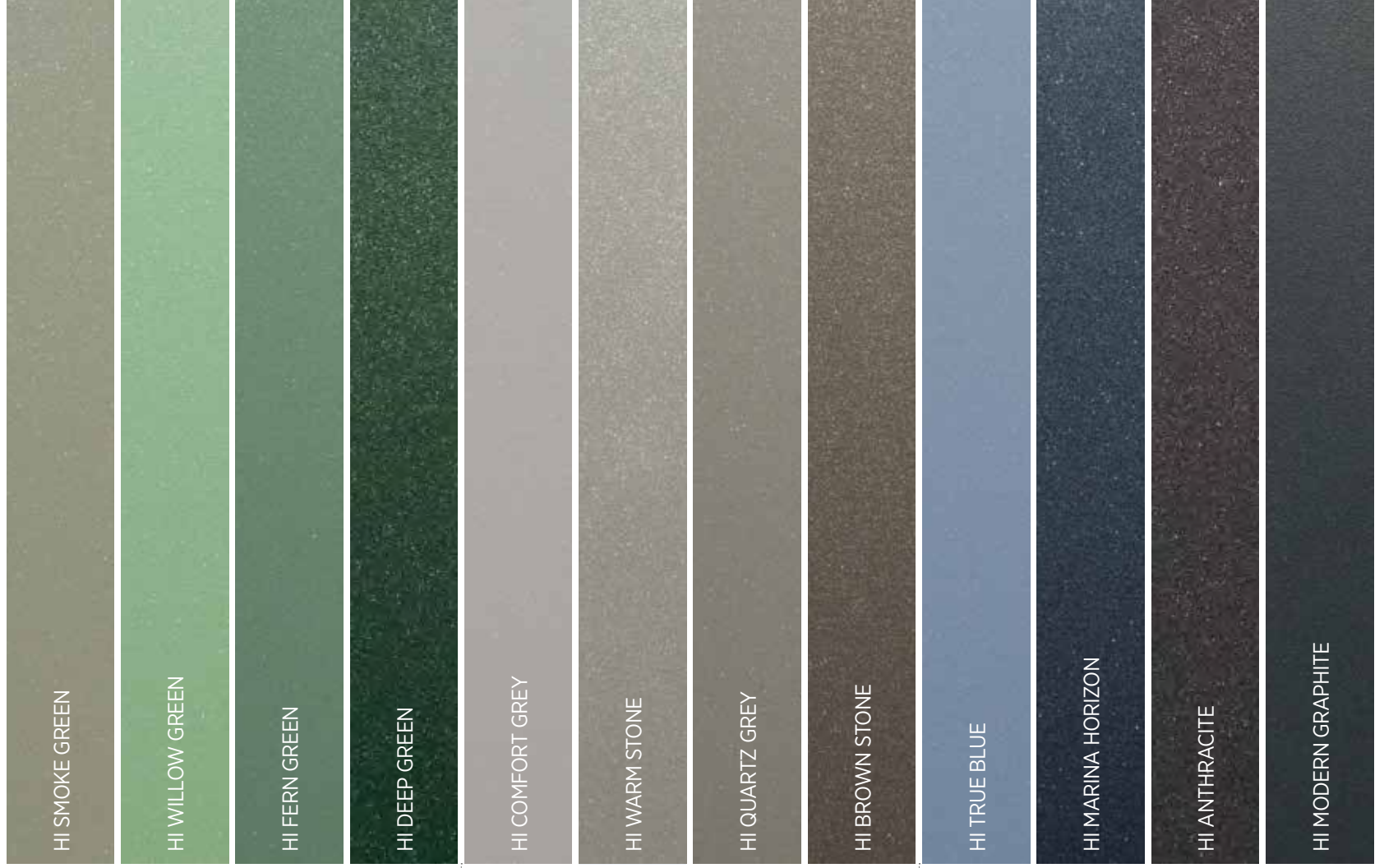
Modern White (Painted finish based on RAL 9010)  
silklime

Modern White (Painted finish based on RAL 9010)  
woodgrain

Modern Black (Painted finish based on RAL9005)  
silklime

Modern Black (Painted finish based on RAL 9005)  
woodgrain





HI EARTH

HI STONE

HI STEEL

L RIBBED	✓	✓	✓	✓	✓	✓	✓	✓	✓	✓	✓
M RIBBED	✓	✓	✓	✓	✓	✓	✓	✓	✓	✓	✓
S RIBBED	✓	✓	✓	✓	✓	✓	✓	✓	✓	✓	✓
MICROWAVE											
GEORGIAN											



HI MOODY CORAL

HI FLAME RED

HI MODERN MAROON

HI DEEP BROWN

HI RUBY

✓	✓	✓	✓
✓	✓	✓	✓
✓	✓	✓	✓

NEW COLOURS HOME INCLUSIVE<sup>2.0</sup>

THE HOME INCLUSIVE 2.0 COLOUR COLLECTION  
 Add exceptional character to your property thanks to the unique depth effect of HI 2.0 colours. Perfect for when you require a perfect colour match for your sectional door, insulated side hinged door and front entrance door.









# HANDLE COLLECTION



KL-2 handle, colour: RAL 9006



KL-2 handle, colour: RAL 1036



KL-2 handle, colour: RAL 1035



KL-2 handle, colour: RAL 7048



KL-2 handle, colour: RAL 9016



KL-2 handle, colour: RAL 9005



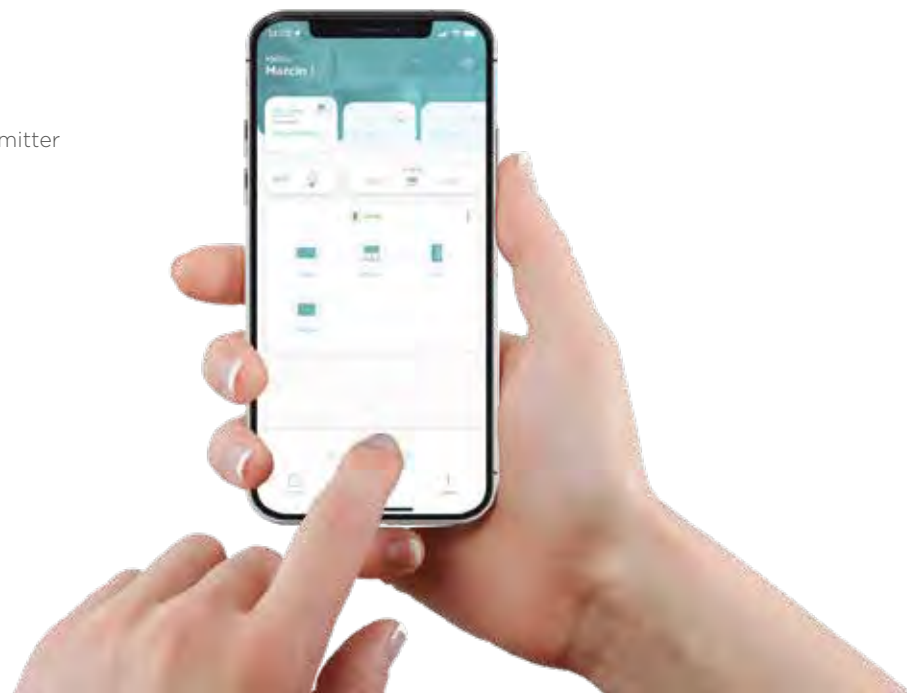
KL-2 handle, colour: RAL 8014

# METRO DRIVE

METRO is a new generation of drive units. It is a harmonious combination of power, beauty, and reliability, designed using state-of-the-art technology. It is the result of cooperation between WISNIOWSKI and Somfy, a leading global manufacturer of automation products and smart control solutions for home devices. The METRO drive features exceptional technical parameters in an enclosure designed according to the WISNIOWSKI design principles.



PULSAR  
four-channel transmitter





# METRO

## TECHNICAL DATA

WIŚNIEWSKI POWERED BY somfy.



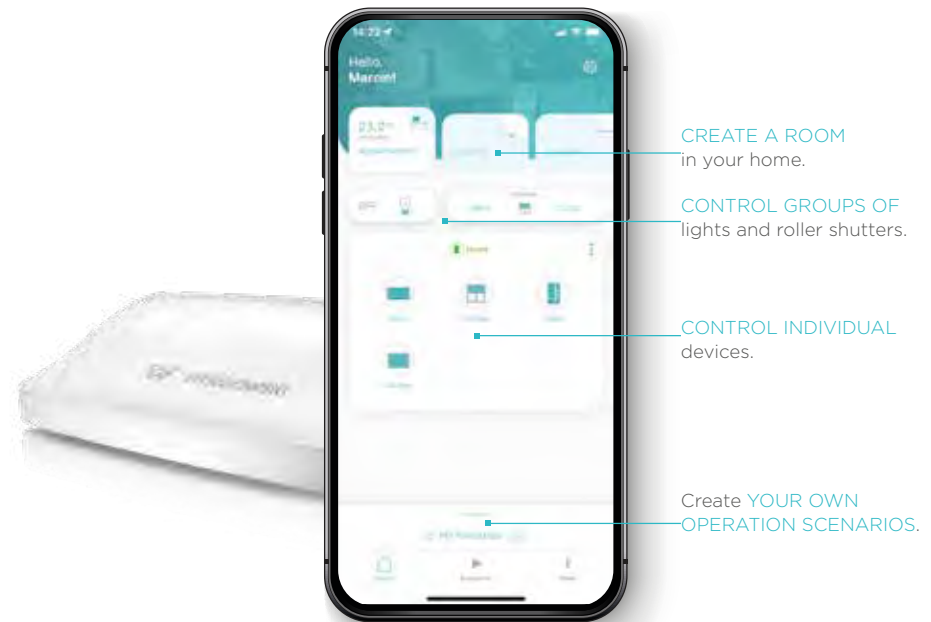
		Metro RTS	Metro SMART io
Application	Sectional garage doors	•	•
	Up & over garage doors	•	•
Simple programming		•	•
Auto selection of operating parameters		•	•
Configurable		•	•
Display		•	—
Safety	Obstacle detection	•	•
	Photocells	•	•
Radio transmission	RTS	•	—
	io	—	•
Backup power supply		•	•
Cycle counter		•	— <sup>(1)</sup>
Integrated signal light		•	•
Additional safeguard	Mechanical carriage lock	•	•
Stand-alone, additional external lamp		•	•
Recent fault logging		•	— <sup>(2)</sup>
90° head adjustment		•	•
Steel rail with a chain or belt		•	•
Smart technologies	Ri-Co	•	•
	smartCONNECTED Box	—	•
	TaHoma Switch	• <sup>(1)</sup>	•
Garage ventilation feature		—	•
Remote control			
		PULSAR transmitter four channel	Smartphone app

<sup>(1)</sup> Control with no feedback.  
<sup>(2)</sup> Only with Set & Go

**io** is a modern, safe, and reliable radio technology by Somfy that lets you control your devices compatible with the smart home concept. Thanks to this technology, the drive unit not only receives commands from controllers, but it can also send feedback. The io-homecontrol technology makes it possible to connect the Metro SMART io drive to the TaHoma and smartCONNECTED Box system, which provides the drive with additional functions that connect the garage door with smart devices available in your home.

## TREAT YOURSELF TO COMFORT AND SAFETY

- Control your garage door, gates, windows, and doors remotely
- Open garage doors and gates without touching your remote
- Manage your home via voice assistant



The SmartCONNECTED technology brings WISNIEWSKI automatic sectional garage doors to the next level of product development, tailoring them to the requirements of increasingly demanding customers. On the one hand, it makes it possible to control the devices with a smartphone, and on the other, it gives the users full control and lets them stay in touch with their home from any place in the world. io-homecontrol® enables wireless connection of the Metro SMART io drive unit to the smart home system controlled by the WISNIEWSKI smartCONNECTED Box and Somfy TaHoma Switch central control units. Building a comprehensive smart home provides a number of benefits and additional features that enhance your comfort every single day.

# AUTOMATION ACCESSORIES

Extra features offered by the automatic garage door equipment equal higher safety standards and more comfort.

Set&Go by Somfy is a device that guides the user through all the configuration steps of the io-home control automatic operating unit. The device includes an antenna and a PC application.



## KEYPAD 2 RTS

The two-channel code keypad makes it possible to control both drive units and radio receivers. Thanks to radio communication, they can be installed in various locations.



## KEYPAD 2 io

lets you control the io radio drives and can support up to two devices. The keypad is a flush-mounted wireless device and no cables are required for installation. The device is powered with a battery and features backlit keys.





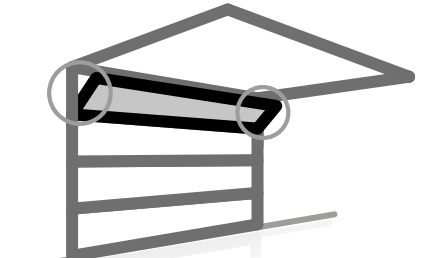
RTS wall-mounted transmitter  
The three-channel transmitter lets you control both your drive units and radio receivers thanks to radio communication, they can be installed in various locations



The external radio receiver lets you control the drive units using the Pulsar transmitter. It is a two channel device where you can program as many as 16 transmitters.



The mechanical carriage lock is an additional safeguard which increases garage door safety when mounted to the carriage.



Garage ventilation feature is enabled by tilting the top panel without the need to lift the door. The bottom panel remains seated against the floor.



Warning lamp compatible with the METRO drives.



Battery backup connected to the METRO drive provides power for several cycles of emergency operation.



External code keypad - this single-channel device can be used to control the garage door with a code. For outdoor installation, requires cabling.

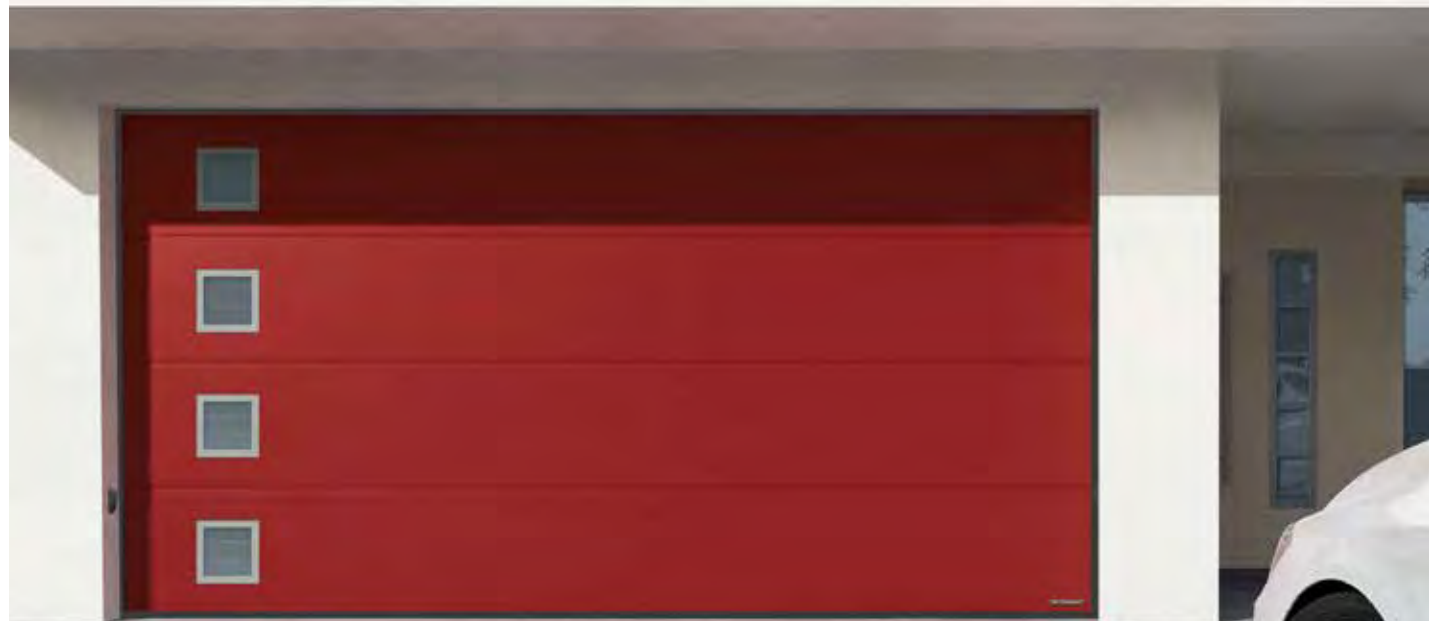


Photocells prevent uncontrolled door leaf movement when an obstacle is present within the clear passage.

# INSPIRATION



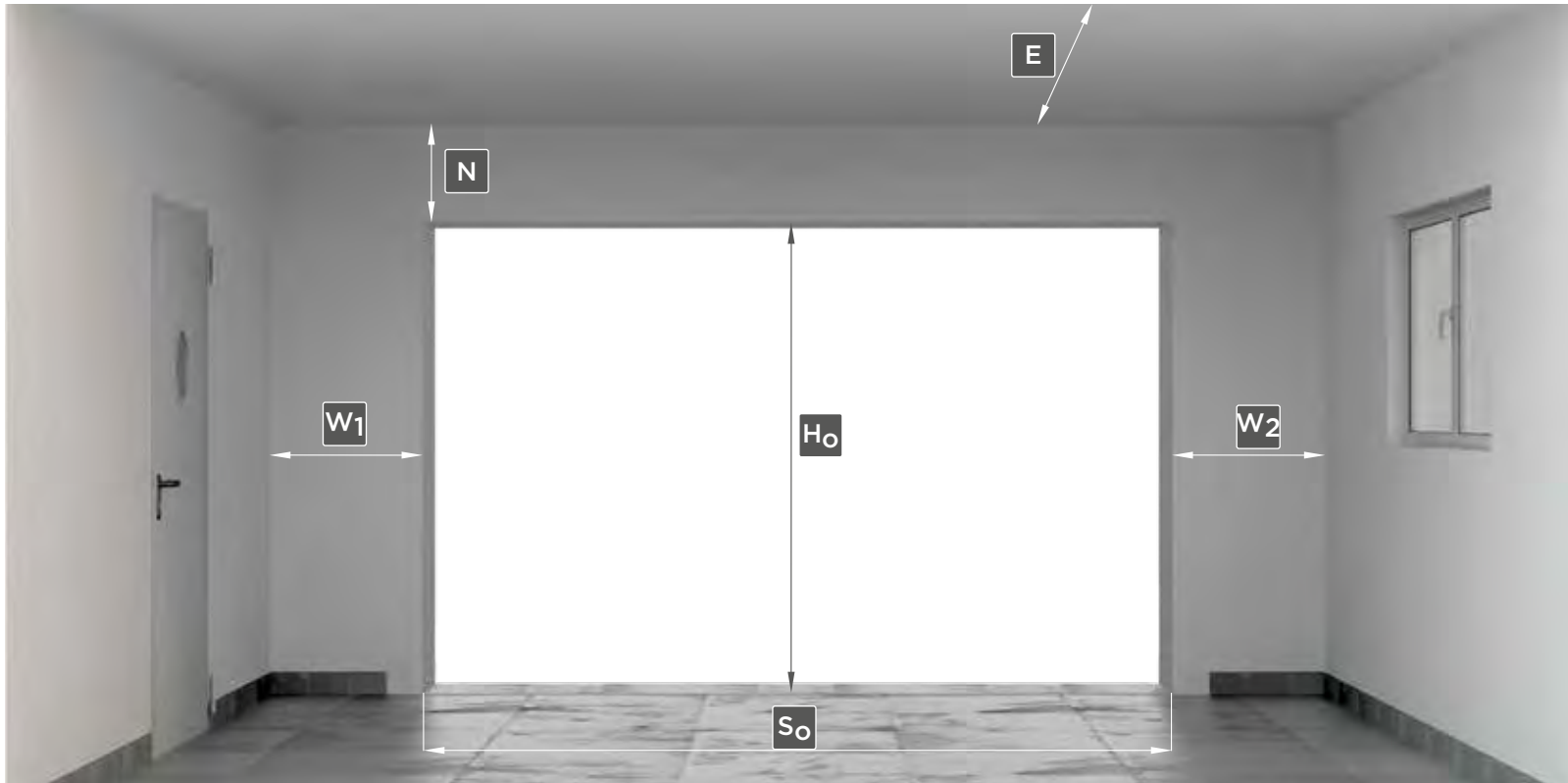
UniPro | L Ribbed | HI Modern Graphite



UniPro | L Ribbed | RAL 3000 | Silkline  
CREO | 345 | Sheffield Oak Light



# TECHNICAL INFORMATION



**S<sub>o</sub>** - Opening width, ordering dimension

**H<sub>o</sub>** - Opening Height, ordering dimension

**N** - Minimum required headroom

**W<sub>1</sub>** - Minimum required side clearance

**W<sub>2</sub>** - Minimum required side clearance

**E** - Minimum garage depth with clearance



# TRACK SYSTEMS

# UNIPRO PANEL DESIGNS

NP - Side Extension Springs

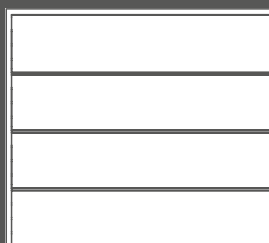
Sp - Front Mount Torsion

St - Rear Mount Torsion

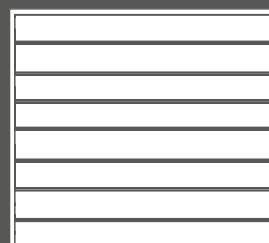
SpA - Inclined Tracks Front Mount Torsion

StA - Inclined Tracks Rear Mount Torsion

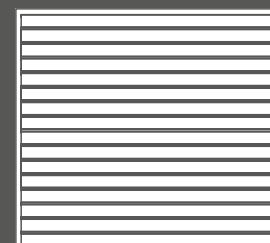
HL - High Lift Tracks Front Mount Torsion



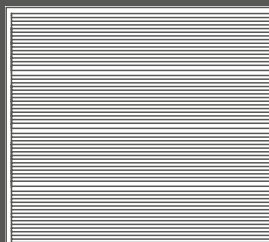
L RIBBED



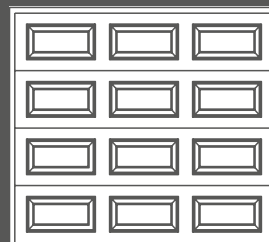
M RIBBED



S RIBBED



MICROWAVE



GEORGIAN

# TECHNICAL INFORMATION

## NP - SIDE EXTENSION

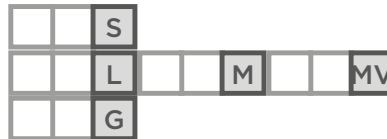
Minimum garage door dimensions: Extension Springs

$S_o = 1,500$  [mm] and  $H_o = 1,800$  [mm] - garage doors type

$S_o = 1,500$  [mm] and  $H_o = 1,900$  [mm] - garage doors type

$S_o = 2,230$  [mm] and  $H_o = 1,990$  [mm] - garage doors type

$S_o \leq 1,750$  [mm] and  $H_o \text{ max} = 2,500$  [mm],  $1,750$  [mm] <  $S_o \leq 2,000$  [mm]  $H_o \text{ max} = 2,750$  [mm]



Available dimensions for - **NP** - Side Extension

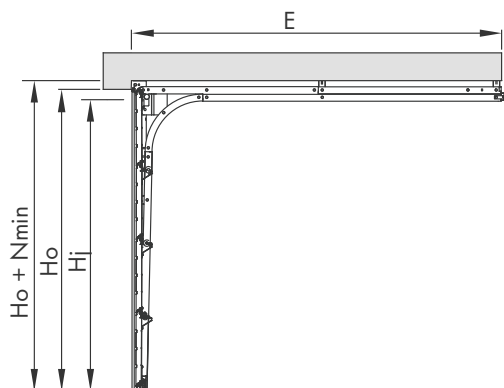
Opening height <sup>(1)</sup> ( $H_o$ ) in [mm] up to	Opening width <sup>(1)</sup> ( $S_o$ ) in [mm] up to														
	2250	2375	2400	2500	2600	2750	3000	3250	3500	3750	4000	4250	4500	4750	5000
2000															
2100															
2125															
2200															
2250															
2375															
2500															
2625															
2750															
2875															
3000															

■ -Not applicable for doors with Sandgrain and Smoothgrain Foiled Texture

<sup>(1)</sup> - Ordering dimension.

# INTERNAL DIMENSIONS - NP - SIDE EXTENSION

NP		Side Extension Springs
N <sub>min</sub>	Manual	95 [mm]
	With Automation	95 [mm]
H <sub>j</sub>	Manual + Catcher (standard)	H <sub>0</sub> - 60 [mm]
	With Automation	H <sub>0</sub> - 60 [mm]
W1, W2		95 [mm]
E <sub>min</sub>	Manual	H <sub>0</sub> + 600 [mm]
	With the METRO drive	L <sub>s</sub> + 410 [mm]
L <sub>s</sub>		2900mm for H <sub>0</sub> ≤ 2250; 3500mm for H <sub>0</sub> > 2250 and H <sub>0</sub> ≤ 2850; 4500mm for H <sub>0</sub> > 2850



- So - Opening width, ordering dimension.
- Sj - Clear passage width after garage door installation.
- Ho - Opening height, ordering dimension.
- Hj - Clear passage height after garage door installation.
- N - Minimum required lintel height.
- W1 - Minimum required side clearance.
- W2 - Minimum required side clearance.
- E - Minimum garage depth with clearance under the ceiling.
- Ls - Drive rail length.

# TECHNICAL INFORMATION

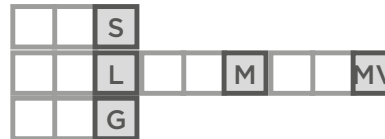
## Sp - FRONT MOUNT TORSION

Minimum garage door dimensions: Front Mount Torsion

$S_o = 1,500$  [mm] and  $H_o = 1,800$  [mm] - garage doors type

$S_o = 1,500$  [mm] and  $H_o = 1,900$  [mm] - garage doors type

$S_o = 2,230$  [mm] and  $H_o = 1,990$  [mm] - garage doors type



Available dimensions for - **Sp** - Front Mount Torsion

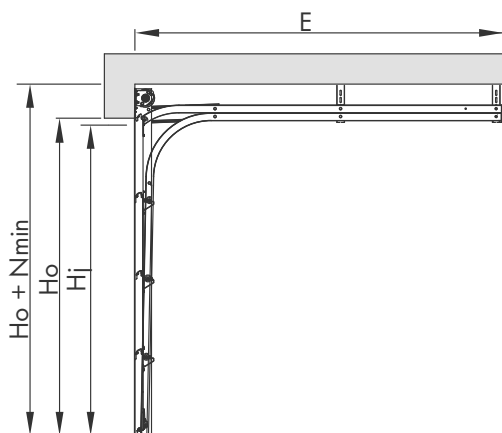
Opening height <sup>(1)</sup> ( $H_o$ ) in [mm] up to	Opening width <sup>(1)</sup> ( $S_o$ ) in [mm] up to																
	2250	2375	2400	2500	2600	2750	3000	3250	3500	3750	4000	4250	4500	4750	5000	5500	6000
2000																	
2100																	
2125																	
2200																	
2250																	
2375																	
2500																	
2625																	
2750																	
2875																	
3000																	

<sup>(1)</sup> - Ordering dimension.



# INTERNAL DIMENSIONS - Sp - FRONT MOUNT TORSION

Sp		Front Mount Torsion
Nmin		= 220mm
Hj	Manual	$H_o - 160\text{mm}$
	Manual + catcher	$H_o - 80\text{mm}$
	With a drive unit	$H_o - 50\text{mm}$
W1, W2		110mm
Emin	Manual	$H_o + 400\text{mm}$
	With the METRO drive	$L_s + 410\text{mm}$
$L_s$		2900mm for $H_o \leq 2250$ ; 3500mm for $H_o > 2250$ and $H_o \leq 2850$ ; 4500mm for $H_o > 2850$



- So - Opening width, ordering dimension.
- Sj - Clear passage width after garage door installation.
- Ho - Opening height, ordering dimension.
- Hj - Clear passage height after garage door installation.
- N - Minimum required lintel height.
- W1- Minimum required side clearance.
- W2- Minimum required side clearance.
- E - Minimum garage depth with clearance under the ceiling.
- Ls - Drive rail length.

# TECHNICAL INFORMATION

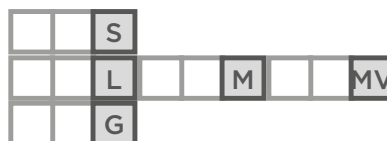
## St - REAR MOUNT TORSION

Minimum garage door dimensions: Rear Mount Torsion

$S_0 = 1,500$  [mm] and  $H_0 = 1,800$  [mm] - garage doors type

$S_0 = 1,500$  [mm] and  $H_0 = 1,900$  [mm] - garage doors type

$S_0 = 2,230$  [mm] and  $H_0 = 1,990$  [mm] - garage doors type



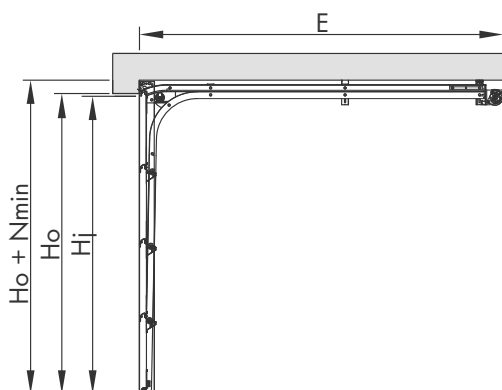
Available dimensions for - **St** - Rear Mount Torsion

Opening height <sup>(1)</sup> ( $H_0$ ) in [mm] up to	Opening width <sup>(1)</sup> ( $S_0$ ) in [mm] up to															
	2250	2375	2400	2500	2600	2750	3000	3250	3500	3750	4000	4250	4500	4750	5000	5500
2000																
2100																
2125																
2200																
2250																
2375																
2500																
2625																
2750																
2875																
3000																

<sup>(1)</sup> - Ordering dimension.

# INTERNAL DIMENSIONS - St - REAR MOUNT TORSION

St		Rear Mount Torsion
Nmin	Manual	100 [mm]
	With Automation	140 [mm]
Hj	Manual	$H_o - 160$ [mm]
	Manual + catcher	$H_o - 90$ [mm]
	With a drive unit	$H_o - 90$ [mm]
W1, W2		110 [mm]
Emin	Manual	$H_o + 750$ [mm]
	With the METRO drive	$L_s + 410$ [mm]
Ls		2900mm for $H_o \leq 2250$ ; 3500mm for $H_o > 2250$ and $H_o \leq 2850$ ; 4500mm for $H_o > 2850$



- So - Opening width, ordering dimension.
- Sj - Clear passage width after garage door installation.
- Ho - Opening height, ordering dimension.
- Hj - Clear passage height after garage door installation.
- N - Minimum required lintel height.
- W1- Minimum required side clearance.
- W2- Minimum required side clearance.
- E - Minimum garage depth with clearance under the ceiling.
- Ls - Drive rail length.

# TECHNICAL INFORMATION

## SpA - INCLINED TRACKS FRONT MOUNT TORSION

Minimum garage door dimensions: Inclined Tracks Front Mount Torsion

$S_o = 1,500$  [mm] and  $H_o = 1,800$  [mm] - garage doors type



$S_o = 1,500$  [mm] and  $H_o = 1,900$  [mm] - garage doors type



$S_o = 2,230$  [mm] and  $H_o = 1,990$  [mm] - garage doors type



Available dimensions for - **SpA**- Inclined Tracks Front Mount Torsion

Opening height <sup>(1)</sup> ( $H_o$ ) in [mm] up to	Opening width <sup>(1)</sup> ( $S_o$ ) in [mm] up to														
	2250	2375	2400	2500	2600	2750	3000	3250	3500	3750	4000	4250	4500	4750	5000
2000															
2100															
2125															
2200															
2250															
2375															
2500															
2625															

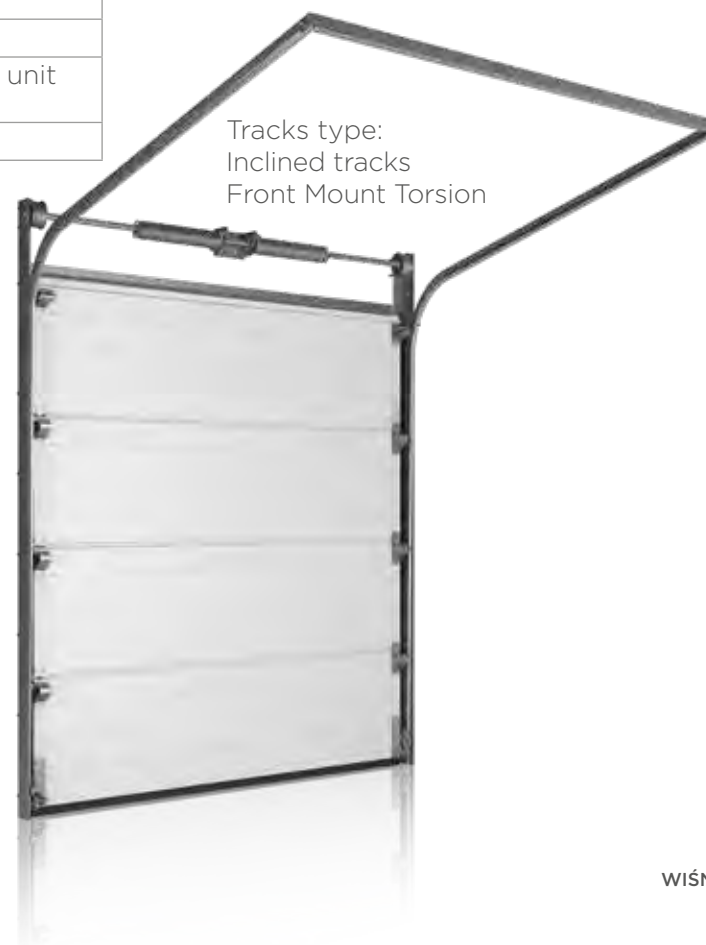
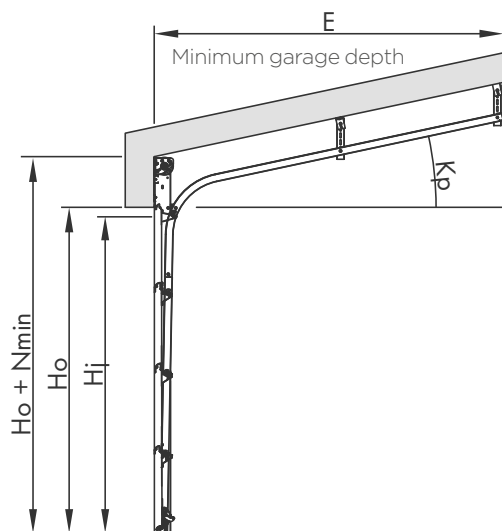
<sup>(1)</sup> - Ordering dimension.



# INTERNAL DIMENSIONS - SpA- INCLINED TRACKS

SpA	Nmin		Hj		Sj	W1,W2
	Kp	manual	automatic	manual		
Degrees [°]	[mm]	[mm]	[mm]	[mm]	[mm]	[mm]
2 to 3	360	390	H <sub>o</sub> - 50	H <sub>o</sub> - 20	S <sub>o</sub> - 40	110
4	350	380	H <sub>o</sub> - 50	H <sub>o</sub> - 20		
5 to 6	350	370	H <sub>o</sub> - 50	H <sub>o</sub> - 20		
7	350	360	H <sub>o</sub> - 50	H <sub>o</sub> - 20		
8 to 20	350	350	H <sub>o</sub> - 50	H <sub>o</sub> - 20		
<b>E<sub>min</sub></b>						
Automatic: $E_{min} = \cos(K_p) \times E_{min}'$						
Manual: $E_{min} = \cos(K_p) \times (H_o + 30 + 450)$						
H <sub>o</sub> - opening height						
E <sub>min'</sub> - value from the table, depending on the automatic operating unit and H <sub>o</sub>						
K <sub>p</sub> - inclination angle of the ceiling in relation to the floor						

Drive unit	E <sub>min'</sub>	Height H <sub>o</sub>
METRO	3,310	0 - 2,250
	3,910	2,251 - 2,850
	4,910	2,851 - 3,150



# TECHNICAL INFORMATION

## StA - INCLINED TRACKS REAR MOUNT TORSION

Minimum garage door dimensions: Inclined Tracks Rear Mount Torsion

$S_o = 1,500$  [mm] and  $H_o = 1,800$  [mm] - garage doors type

		S
--	--	---

$S_o = 1,500$  [mm] and  $H_o = 1,900$  [mm] - garage doors type

		L		M		MV
--	--	---	--	---	--	----

$S_o = 2,230$  [mm] and  $H_o = 1,990$  [mm] - garage doors type

		G
--	--	---

Available dimensions for - **StA**- Inclined Tracks Rear Mount Torsion

Opening height <sup>(1)</sup> ( $H_o$ ) in [mm] up to	Opening width <sup>(1)</sup> ( $S_o$ ) in [mm] up to															
	2250	2375	2400	2500	2600	2750	3000	3250	3500	3750	4000	4250	4500	4750	5000	5500
2000																
2100																
2125																
2200																
2250																
2375																
2500																
2,625																

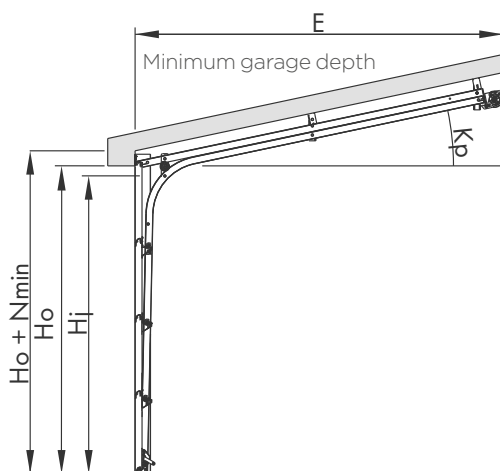
<sup>(1)</sup> - Ordering dimension.

# INTERNAL DIMENSIONS - StA- INCLINED TRACKS

StA	Nmin		Hj			Sj	W1,W2
	Kp	manual	automatic	manual	manual + catcher		
degrees [°]	[mm]	[mm]	[mm]	[mm]	[mm]	[mm]	[mm]
2	140	170	H <sub>0</sub> - 100	H <sub>0</sub> - 80	H <sub>0</sub> - 70	S <sub>0</sub> - 40	110
3	135	165	H <sub>0</sub> - 110	H <sub>0</sub> - 90	H <sub>0</sub> - 70		
4	130	160	H <sub>0</sub> - 120	H <sub>0</sub> - 90	H <sub>0</sub> - 70		
5	120	150	H <sub>0</sub> - 130	H <sub>0</sub> - 90	H <sub>0</sub> - 70		
6	110	140	H <sub>0</sub> - 140	H <sub>0</sub> - 90	H <sub>0</sub> - 70		
7	110	140	H <sub>0</sub> - 140	H <sub>0</sub> - 90	H <sub>0</sub> - 70		
8	100	130	H <sub>0</sub> - 140	-	H <sub>0</sub> - 70		
9	100	120	H <sub>0</sub> - 140	-	H <sub>0</sub> - 70		
10	100	110	H <sub>0</sub> - 140	-	H <sub>0</sub> - 70		
11 to 20	100	100	H <sub>0</sub> - 140	-	H <sub>0</sub> - 60		

Drive unit	Emin'	Height H <sub>0</sub>
METRO	3,310	0 - 2,250
	3,910	2,251 - 2,850
	4,910	2,851 - 3,150

Emin
Automatic: $E_{min} = \cos(K_p) \times E_{min}'$
Manual: $E_{min} = \cos(K_p) \times (H_0 + 30 + 450)$
H <sub>0</sub> - opening height
Emin' - value from the table, depending on the automatic operating unit and H <sub>0</sub>
Kp - inclination angle of the ceiling in relation to the floor



Tracks type:  
Inclined tracks  
Rear Mount Torsion

# TECHNICAL INFORMATION

## HL - HIGH LIFT TRACKS FRONT MOUNT TORSION

Minimum garage door dimensions: High Lift Tracks Front Mount Torsion

$S_o = 1,500$  [mm] and  $H_o = 1955$  [mm] - garage doors type



$S_o = 2,230$  [mm] and  $H_o = 2,040$  [mm] - garage doors type



Available dimensions for - HL - High Lift Tracks Front Mount Torsion

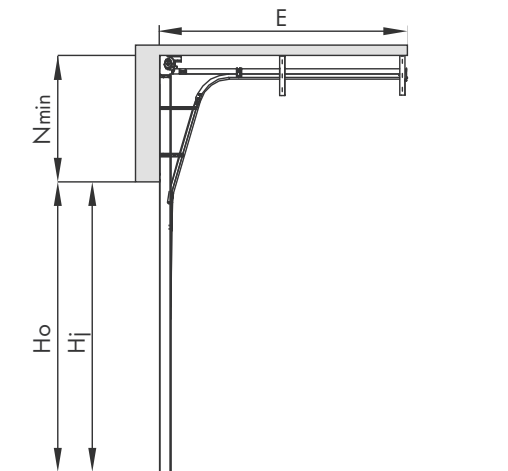
Opening height <sup>(1)</sup> ( $H_o$ ) in [mm] up to	Opening width <sup>(1)</sup> ( $S_o$ ) in [mm] up to															
	2250	2375	2400	2500	2600	2750	3000	3250	3500	3750	4000	4250	4500	4750	5000	5500
2000																
2100																
2125																
2200																
2250																
2375																
2500																
2625																
2750																
2,875																
3,000																

<sup>(1)</sup> - Ordering dimension.



# INTERNAL DIMENSIONS - HL - HIGH LIFT TRACKS

HL		High lift torsion
Nmin	Manual	400 < N ≤ 1300
	With a drive unit	
Hj	Manual	H <sub>0</sub> - 20 [mm]
	With a drive unit	
W1, W2		110 [mm]
Emin	Manual	H <sub>0</sub> - 0,8 x N + 645 [mm]
	With the METRO drive	3310mm for H <sub>0</sub> ≤ 2080; 3910mm for 2080 < H <sub>0</sub> ≤ 2680; 4910mm for H <sub>0</sub> > 2680



Tracks type:  
High Lift Tracks  
Front Mount

- So - Opening width, ordering dimension.
- Sj - Clear passage width after garage door installation.
- Ho - Opening height, ordering dimension.
- Hj - Clear passage height after garage door installation.
- N - Minimum required lintel height.
- W1 - Minimum required side clearance.
- W2 - Minimum required side clearance.
- E - Minimum garage depth with clearance under the ceiling.
- Ls - Drive rail length.

**Wisniowski** is one of the leaders in the production of garage door systems internationally - particularly in Europe.

All production sites are equipped with the most up-to-date, high-tech equipment to efficiently produce all sectional door panels and component parts.

The quality management system meets the requirements of ISO 9001 international standard in TUV CERT system, which is confirmed by the corresponding certificates.

Wisniowski sectional doors combine security, safety, quality and style to perfectly compliment your home.

### Information from DHF consumer advice;

The following information was designed by the Association of Garage Door Specialists, updated by the DHF and endorsed by all major UK garage door manufacturers, as a guide for purchasers of domestic garage doors.

A new garage door can be a significant investment that will transform the appearance of your home. This information is a guide to the quality you can expect.

### The Quality Check:-

The quality check should be carried out in natural daylight, not direct sunlight. Stand at a distance of 3 metres from the door to view the overall appearance. The door is acceptable if, taking into account the facts below, none of the following are readily visible on the face of the door:

- Marks or distortion associated with the manufacturing process;
- Minor indentations, marks or scuffs on the surface;
- Paint or stain blemishes;

### Steel Doors:-

**Panel Distortion** The rolling or pressing of steel panels during manufacture will cause distortion in the steel and while every effort is made to keep this to a minimum, inevitably some visible distortion will remain. The application of high gloss paints will make this slight distortion more apparent, especially under certain lighting conditions, such as car headlamps, or bright sunshine.

**Paint Finish** Primed doors - The primer coating is applied as a base coat only and as such requires additional finishing with a good quality exterior paint. Any marks or scratches on the primer coat should be rubbed down and repainted as part of this finishing process. Fully finished doors - the factory application of the paint finish is an automated process and this may result in minor blemishes or slight inconsistencies in the paint, particularly in the area of panel joints.

### All Doors:-

**Colour match** Pairs of doors should be ordered together to obtain the best colour match, bearing in mind the limitations of the materials used in construction.

**Size variations** As the size of a door changes in height and/or width, the panel frequency and profile can change, therefore doors of the same style but of different sizes can be significantly different in appearance.

**Clearances** All doors require operating clearances, ie the gap around the door panel or curtain. These are inbuilt during manufacture and should not be reduced by means of infills or draughtproofing.

**Deflection** When in the open position, all doors will display a level of vertical deflection or 'sag' across the width of the panel. Individual manufacturer's specifications should be consulted for exact tolerances.



### **Warranty Terms:**

Wisniowski's certified quality management system ensures products are manufactured to the highest quality standard. In the unlikely event of a warranty claim deemed necessary, please contact the trade dealer, installer or distributor who supplied the product.

To enable a claim to be efficiently processed with no delay you should provide the following information:

- Name, address and contact telephone number.
- Proof of purchase and date of purchase, along with registration details.
- Product type, along with the product identification label.
- Description of the defect.

The dealer should then provide details of the claim, together with the registration certificate provided with the product and proof of purchase to JDUK Door Systems. An assessment of the claim will take place which could mean JDUK Door Systems may need to come and inspect the product/products in-situ. In the event that there is no legitimate claim under the warranty terms specified you may be liable for the costs of the visit. It is essential that you take note of the care and usage instructions provided with the door and that the instructions are followed throughout the lifetime of the product.

### **Warranty requirements:-**

- The installation is to be performed by qualified personnel authorised by the Manufacturer or an official representative of the Manufacturer in compliance with the installation guide, information about the organisation that performed the installation, is to be specified in the registration certificate;
- The rules of operation and maintenance of the product specified in the operating manual are to be observed;
- Service maintenance is to be scheduled annually to the maintenance regulation and conducted respectively. Each planned service, maintenance activity should be logged in the Warranty card.
- Warranty repairs are carried out only when the original registration certificate is available;

### **Warranty periods:-**

- 10 year warranty from the date of purchase covering the safe and reliable operation of the product;
- 10 year warranty covering perforating corrosion of sectional door panels, rust penetration from inside to out.
- 5 year warranty for doors in general and their separate elements, such as cables, roller brackets, rollers, torsion shaft assemblies, sealing inserts and other elements of the door product;
- 18 month warranty on paint coating, covering paint adhesion, peeling and blistering. Assessment of paint coating is carried out according to guidelines QUALICOAT an QUALISTEELCOAT.
- 5 year warranty for the Metro operator, which includes the motor; 2 year warranty on radio equipment and accessories, there is no warranty on consumables (e.g. fuses, batteries, bulbs etc.)
- 7 year warranty for the Avanti operator, which includes the motor; 2 year warranty on radio equipment and accessories, there is no warranty on consumables (e.g. fuses, batteries, bulbs etc.)

### **Warranty does not cover:-**

- Mechanical damage due to improper transport or door installation;
- When the faults or defects are caused by external influence (fire, water, salts, acids, alkalis, mortars and sealants, force majeure and abnormal weather conditions);
- Swarf filings or other airborne particles, rusting or staining the panel which are not considered as corrosion are not covered.
- Normal wear and tear;
- Colour fade and colour deterioration;
- Doors installed within 500 meters from the coastline are excluded from the corrosion warranty;
- Unauthorized changes to the product or product design;
- Improper operation;
- When components not recommended by the Manufacturer are used for installation or repair;
- If the product number has been removed or changed;
- If the original registration certificate is not available or has been incorrectly filled out;
- If the fault is due to improper repair or service;
- Faults which are the result of failing to comply with the installation manual;
- In case of failing to operate the product in accordance with its intended purpose (e.g., when installing the garage doors in the industrial premises; when installing the door in regions with high humidity and/or corrosive environment);
- Continuous operation of a defective product;

### **Steel door panels:-**

Minor scratches and scuffs are not covered under warranty and should be repaired immediately, to prevent corrosion and deterioration of the door panel, corrosive substances such as acids, alkalines, salts, mortars etc should be cleaned from the door panels immediately to eliminate deterioration of the finish.



JDUK Door Systems  
Ravensthorpe Industrial Estate, Low Mill Lane.  
Havelock Street, Ravensthorpe, Dewsbury. WF13 3LN  
T 01924 472924 E sales@jdukLtd.co.uk www.jdukLtd.co.uk

